

INDUCTION CAPSEALER

CVC 2000-TS



The CVC 2000-TS induction cap sealing system is used to apply a hermetic seal over the mouth of a jar or bottle. These seals can provide evidence of tampering, preserve freshness, prevent pilferage, and provide leakage protection during handling or shipping.

A special plastic cap containing an aluminum foil disk is used. After the cap is screwed onto the bottle, it is passed beneath an induction sealing coil. This coil radiates an electromagnetic field, which causes the aluminum disk to heat up. A coating laminated to this disk softens and is fused to the mouth of the bottle.

STANDARD FEATURES

- Compact Design, easy for integrated with bottle packaging line to proceed foil sealing for bottles
- 5.7" Color Touch Screen, easy for operation and adjustment
- Microprocessor control system to ensure the quality stability
- Allows output to follow conveyor speed
- Output Power: 2.25KW
- Password Protected Settings available
- Event Log - can save 4,000 machine production events
- 20 Recipes memory for quick access of product information



CVC 2000-TS Technical Specifications

Productivity	Up to 150 BPM (subject to trial confirmation)
Applicable Size	Cap Dia.: Ø30-110 mm (1 1/4" - 4 1/4")
Power Source	220V, 50/60 HZ, 1 PH
Power Consumption	2,250 VA (10.2 A)
Air Pressure	6 bar (87 psi)
Air Consumption	100 NL/min (3.5 CFM)
Machine Dimensions (L x W x H)	792 x 932 x 1,506 mm (2'-7" x 3'-1" x 4'-11")
Machine Weight	160 kg [353 lbs]
Noise Level	≤ 78 dB

** A minimum opening is required between caps so that the sensors can detect when a bottle is present and when it isn't. Container shape and neck configurations are also a factor in achieving reliable operation.*

TECHNICAL SPECIFICATIONS

AVAILABLE OPTIONS

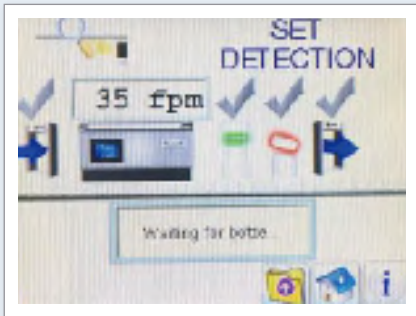
- Stalled bottle, missing foil, loose cap detection
- Reject device with verification
- Infeed bottle stop gate
- 3- color tower lamp
- Proportional speed control
- Computer interface control
- CE model
- Control Panel is available as IP65-ready for complete protection against wash-down routines in packaging line environments



· Sealing Head



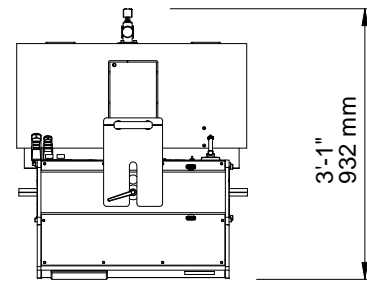
· 5.7" Touch Screen Panel



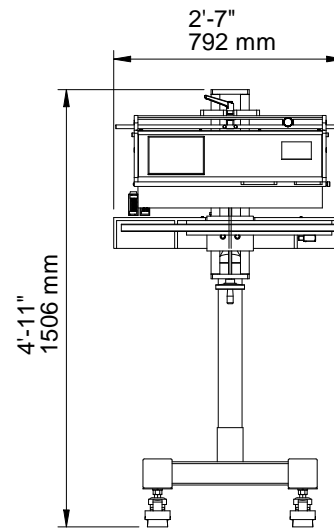
· Easy set-up

MACHINE LAYOUTS

Top View



Front View



The dimensions shown are for standard machine. Optional conveyor for bottle transportation is required. This machine with an optional conveyor can run independently or be integrated into an automated packaging line. All CVC equipment is covered by a one-year parts warranty. Full Warranty details are included in our equipment proposals or can be found on our website.



CVC TECHNOLOGIES, INC.



Contact Us

USA
10861 Business Drive, Fontana, CA 92337
Phone: +1 (909) 355-0311
www.cvctechnologies.com
sales@cvcusa.com

USA East Coast Office
1855 New Highway, Suite C, Farmingdale NY 11735
sales@cvcusa.com

Taiwan-Asia Pacific Headquarters
Phone: +886 (4) 2496-3666
sales@cvctechnologies.com

China/ India
sales@cvctechnologies.com